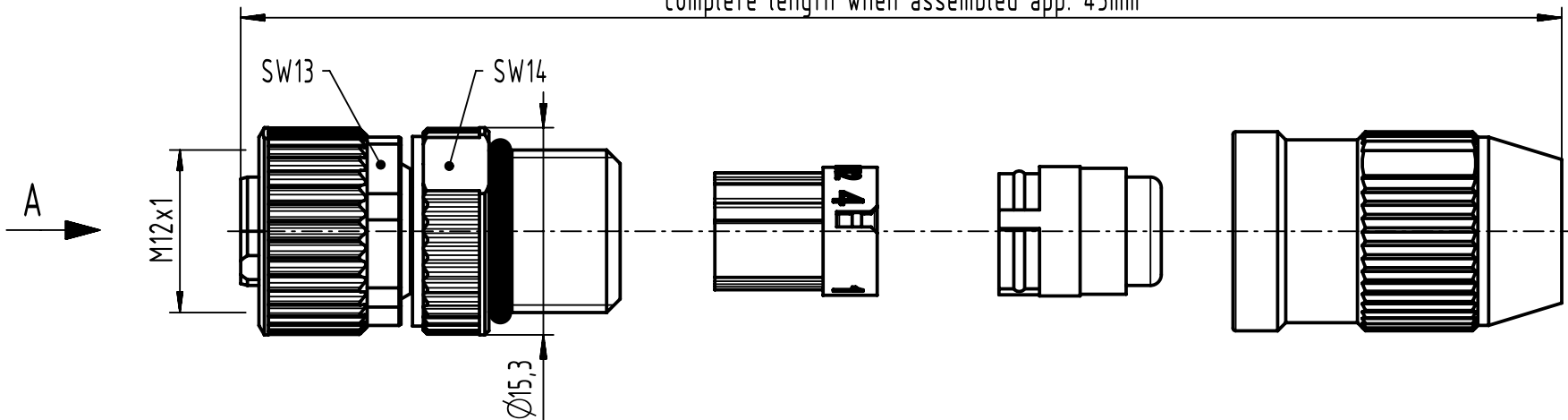
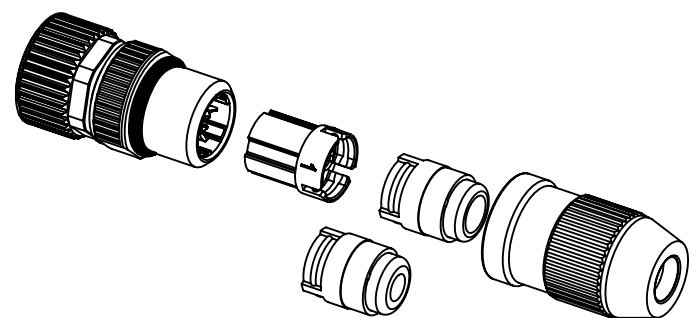
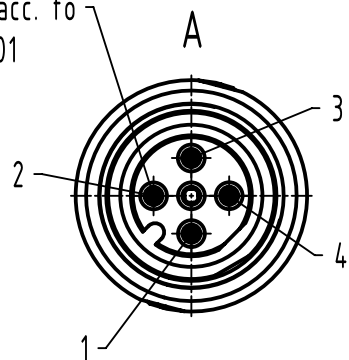


1 2 3 4 5 6


complete length when assembled app. 43mm



contact face acc. to IEC 61076-2-101



conductor cross section	0.14 - 0.34mm ² AWG26 - AWG22
cable outside diameter	2.9 - 5.1mm

	All Dimensions in mm Original Size DIN A4	Scale	Free size tol.		Ref.
		2:1			Sub.
All rights reserved Department EL PD	Created by BUSSMANN	Inspected by	Standardisation	Date	State
		104.122		2022-09-27	Final Release
HARTING D-32339 Espelkamp	Title M12-S-CC-IDC-4P-ACOD-F-STR	Doc-Key / ECM-Nr. 100190976/UGD/003/J 500000220907			
		Type	Number	Rev.	Page
	TB	21031112405	J	1/1	